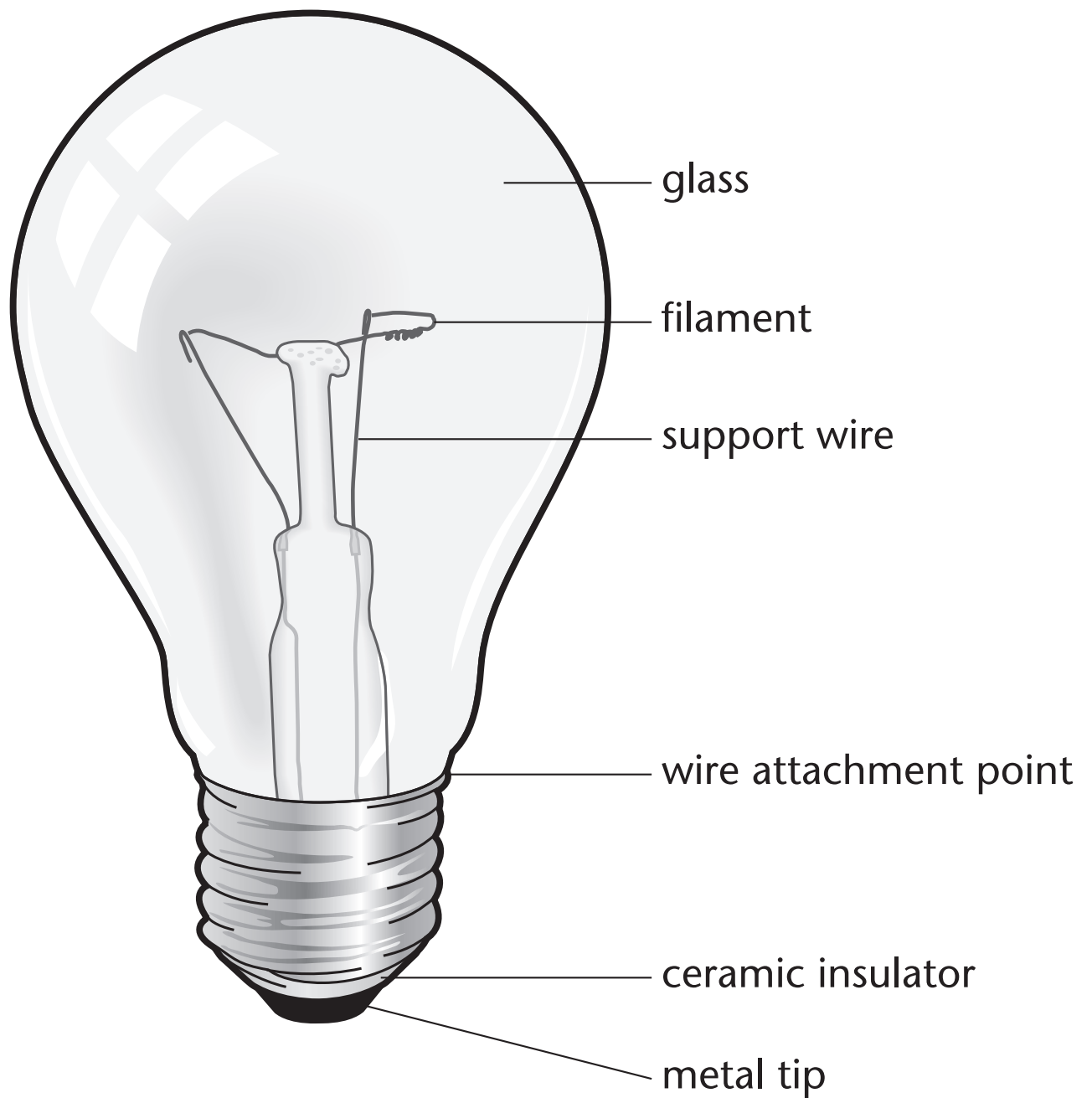
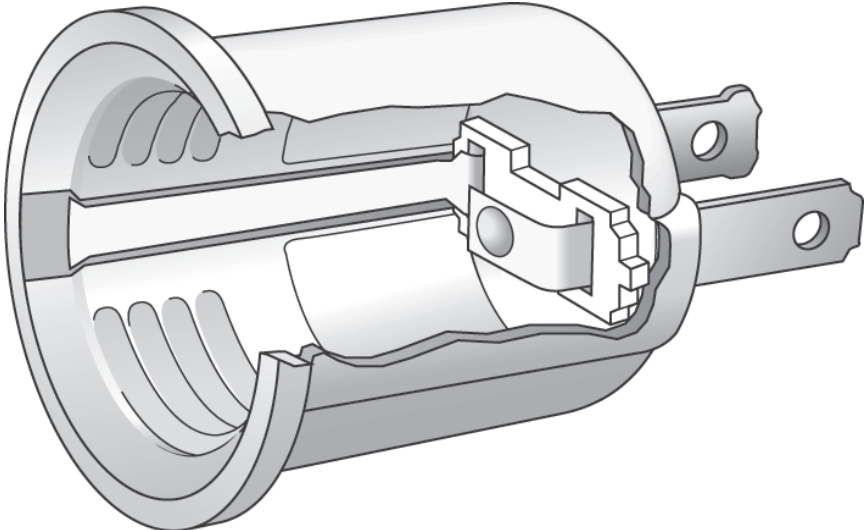
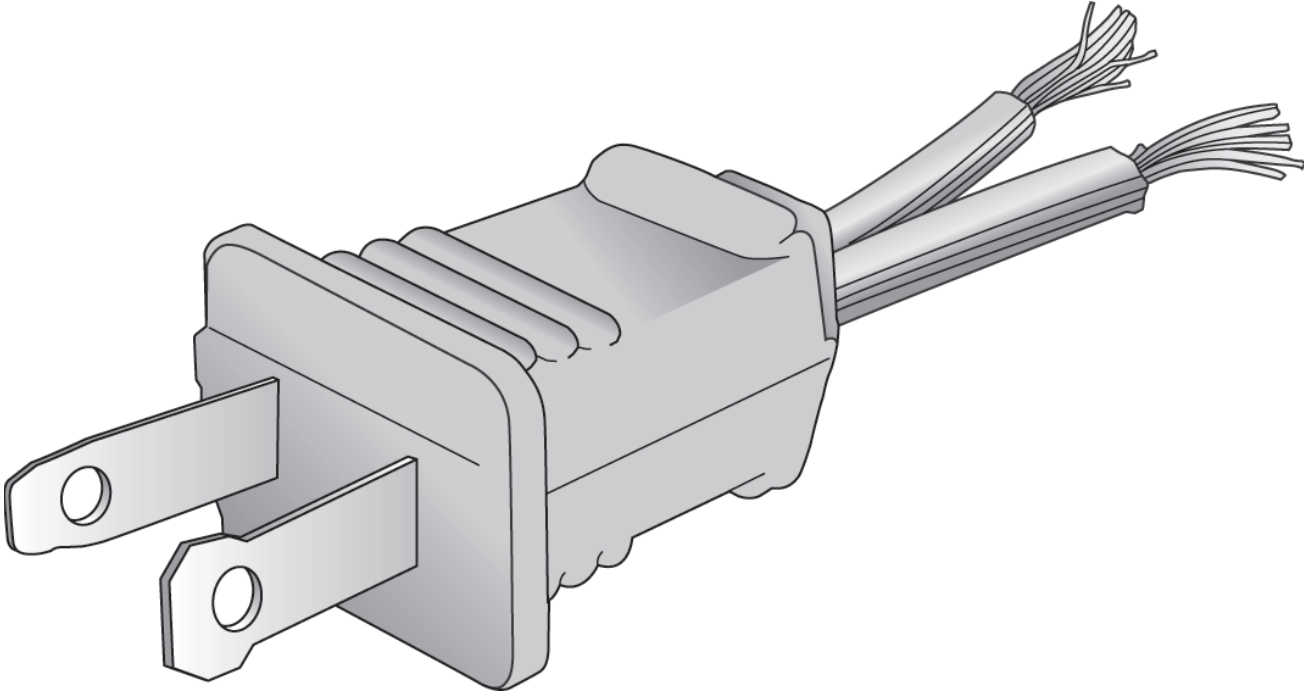


Inside a Light Bulb



Inside an Extension Cord



Identifying Conductors and Insulators

Predictions and Results:

Object To be Tested	Prediction (circle one)	Testing Result (circle one)	Material
	Conductor Insulator	Conductor Insulator	
	Conductor Insulator	Conductor Insulator	
	Conductor Insulator	Conductor Insulator	
	Conductor Insulator	Conductor Insulator	
	Conductor Insulator	Conductor Insulator	
	Conductor Insulator	Conductor Insulator	
	Conductor Insulator	Conductor Insulator	
	Conductor Insulator	Conductor Insulator	
	Conductor Insulator	Conductor Insulator	

Conclusion:

Explain your results. How are the materials that worked to complete the circuit alike?